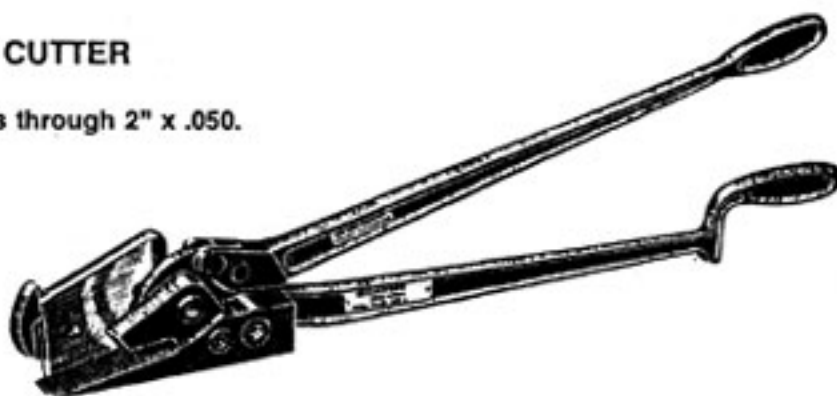


## CU-25 STRAP CUTTER

For all strap sizes through 2" x .050.

Part No. 005740



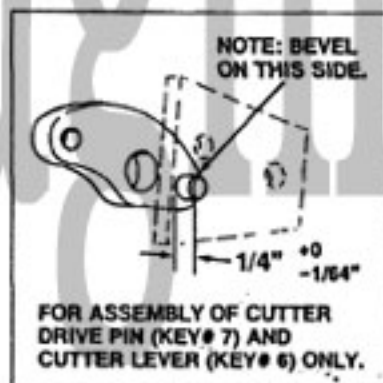
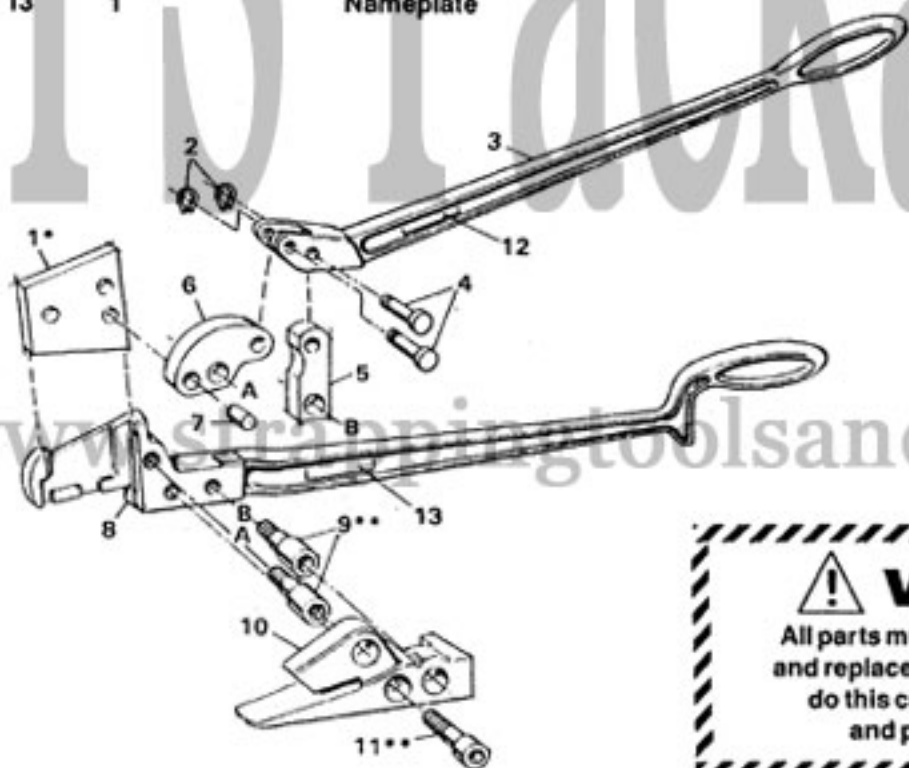
### PARTS LIST

KEY	QTY.	DESCRIPTION
1*	1	<u>Top cutter blade</u>
2	2	Truarc ring
3	1	Top handle
4	2	Pin
5	1	Handle link
6	1	Cutter lever
7	1	Cutter drive pin
8	1	Bottom handle
9**	2	Cutter lever bolt
10	1	Bottom cutter blade
11**	1	L. H. bolt
12	1	Danger sign
13	1	Nameplate

\* Can be reversed when worn.  
 \*\* Use Loctite #271 on threads only.

When ordering parts, please show tool model, part number and name.

Wear part is underlined and should be stocked. Common hardware parts may be obtained at any local hardware supply.



### WARNING

All parts must be periodically inspected and replaced if worn or broken. Failure to do this can affect a tool's operation and present a safety hazard.

